

(C) 2024. This work is licensed by CC-NC-SA
 Bits Passats / RetroAND

Sheet: /
 File: Bits Passats S23 Memory Module.kicad_sch

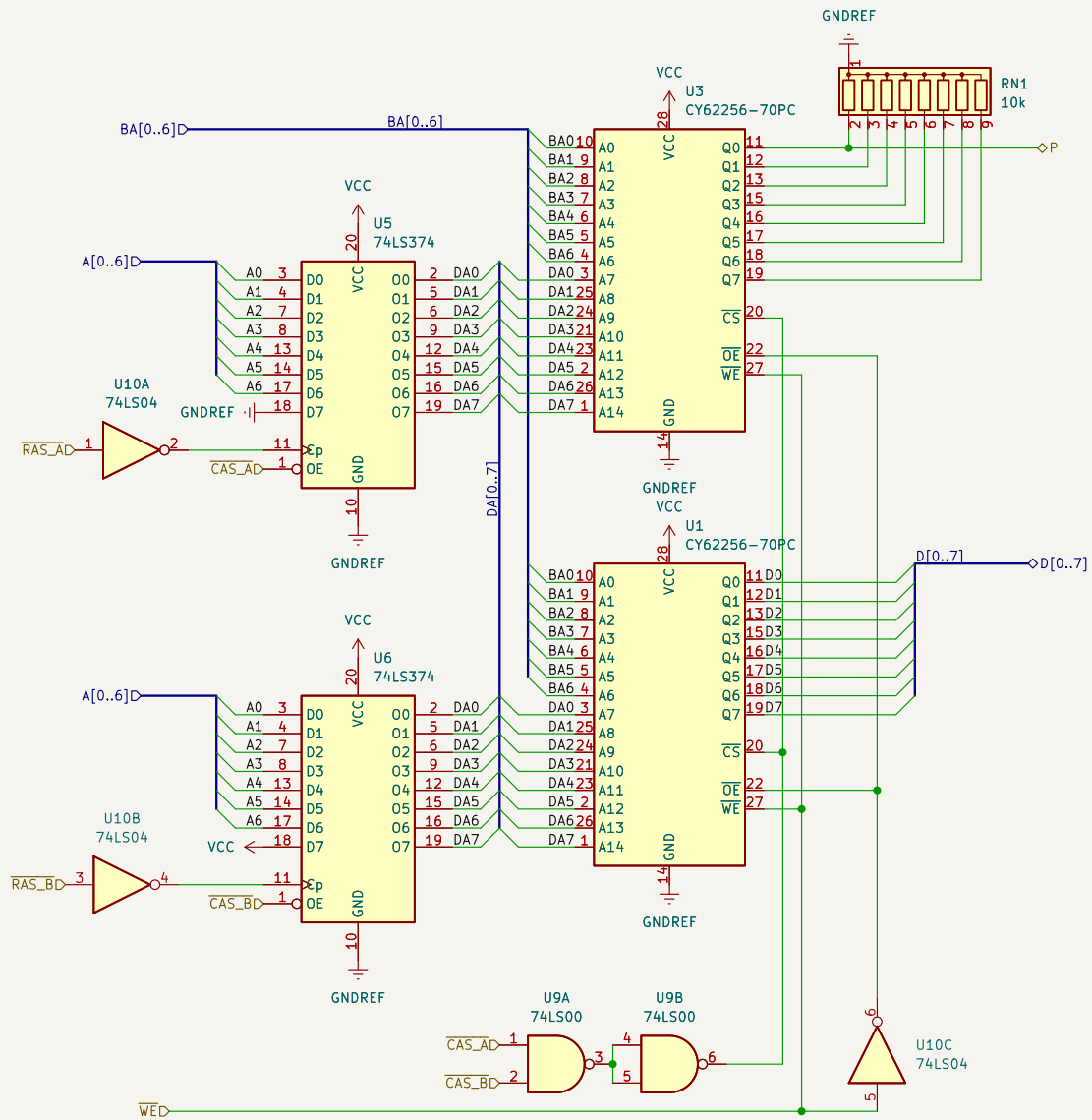
Title: System/23 64KB Memory Module

Size: A4 Date: 2024-05-22

KiCad E.D.A. kicad (6.0.10)

Rev: 1.1

Id: 1/3



(C) 2024. This work is licensed by CC-NC-SA

Bits Passats / RetroAND

Sheet: /Bank 0/

File: bank0.kicad_sch

Title: System/23 64KB Memory Module

Size: A4 Date: 2024-05-22

KiCad E.D.A. kicad (6.0.10)

Rev: 1.1

Id: 2/3

